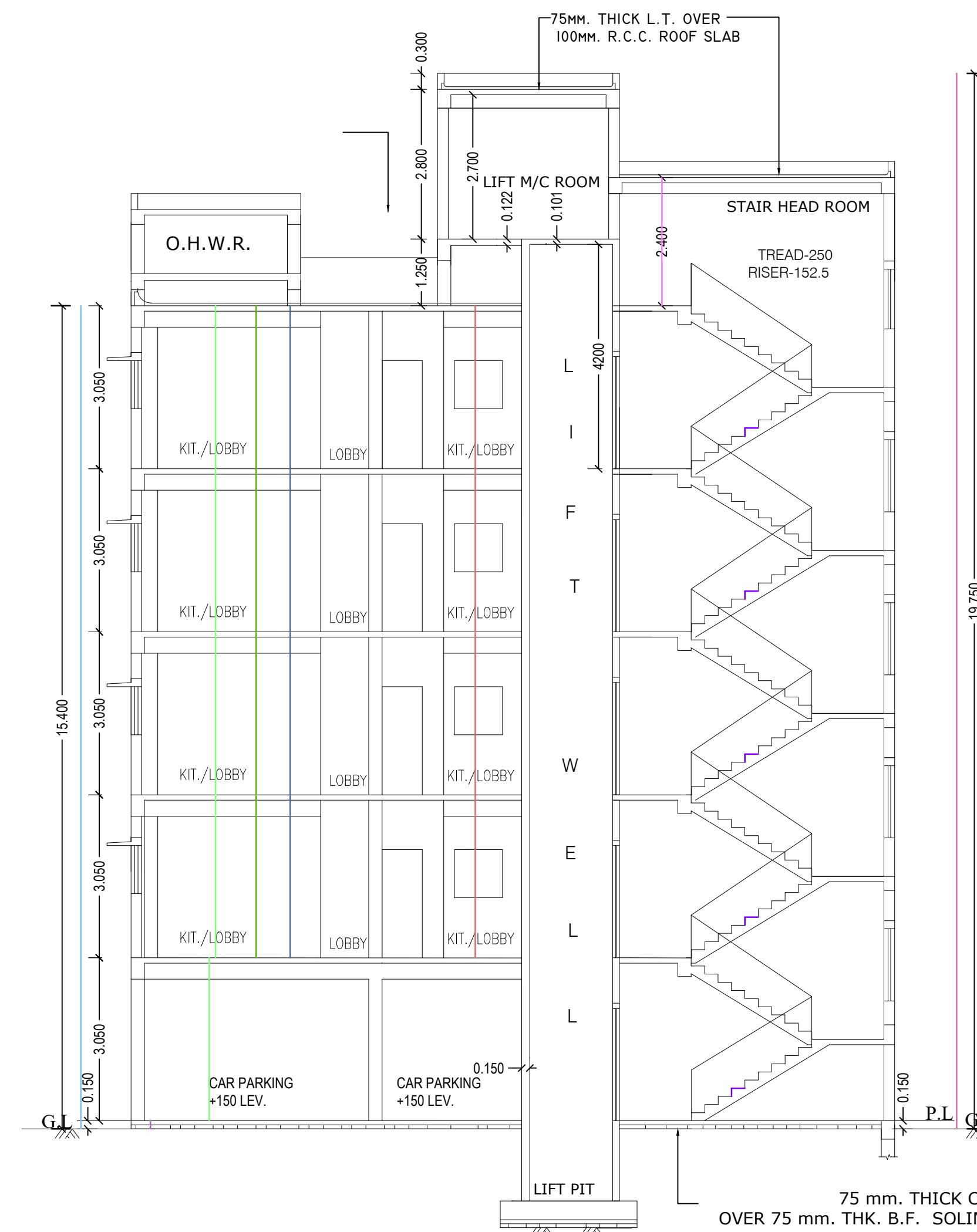
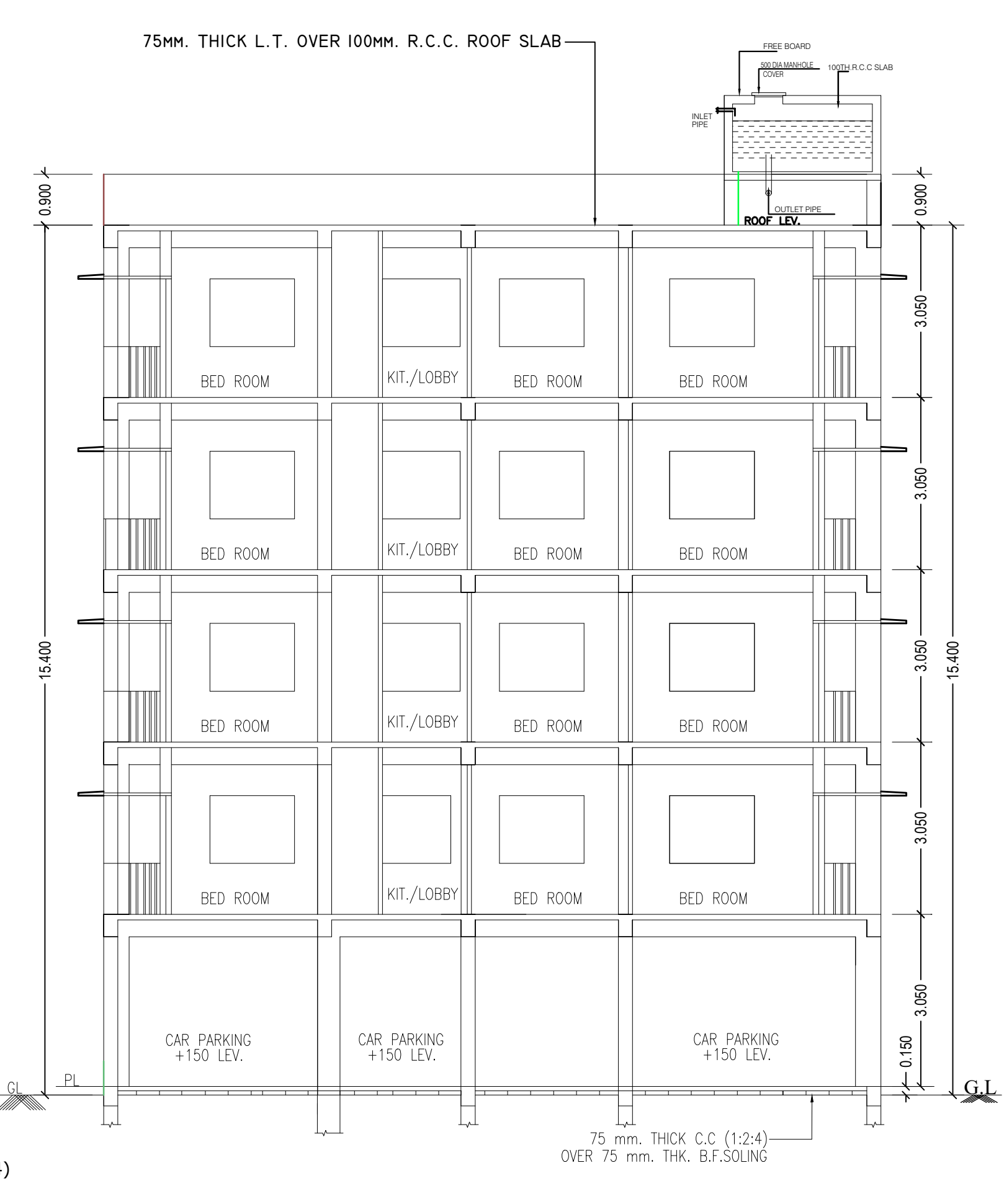


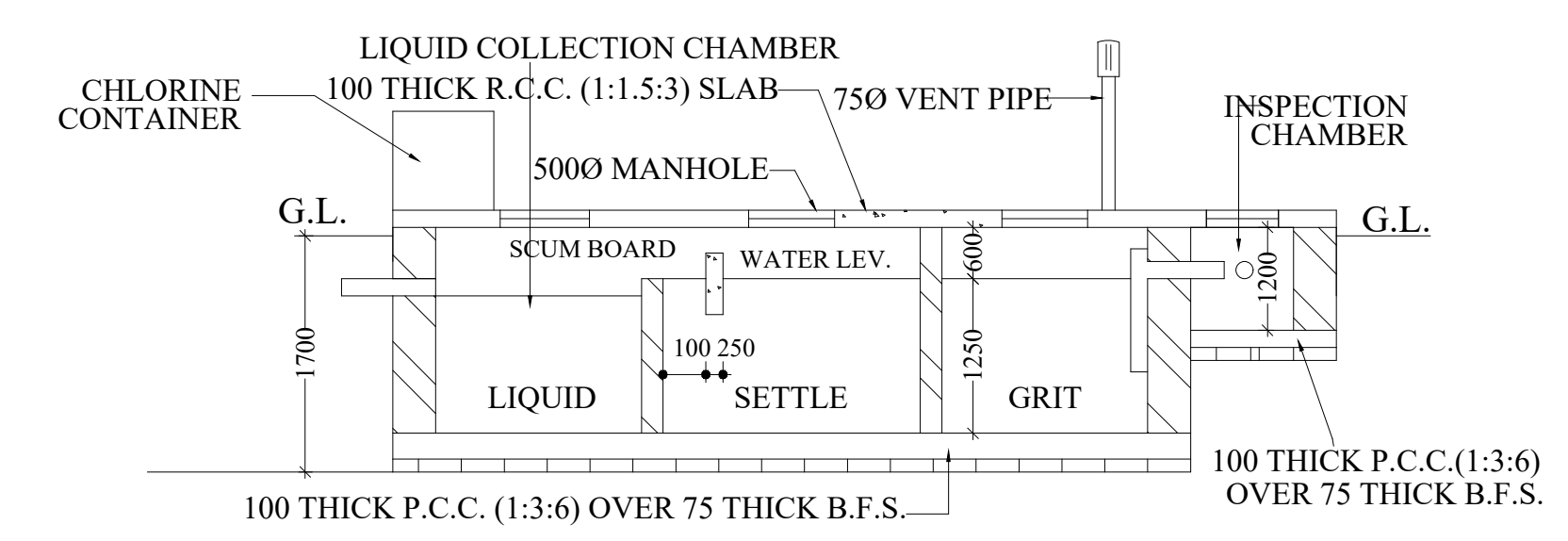
FRONT ELEVATION
SCALE - 1:100



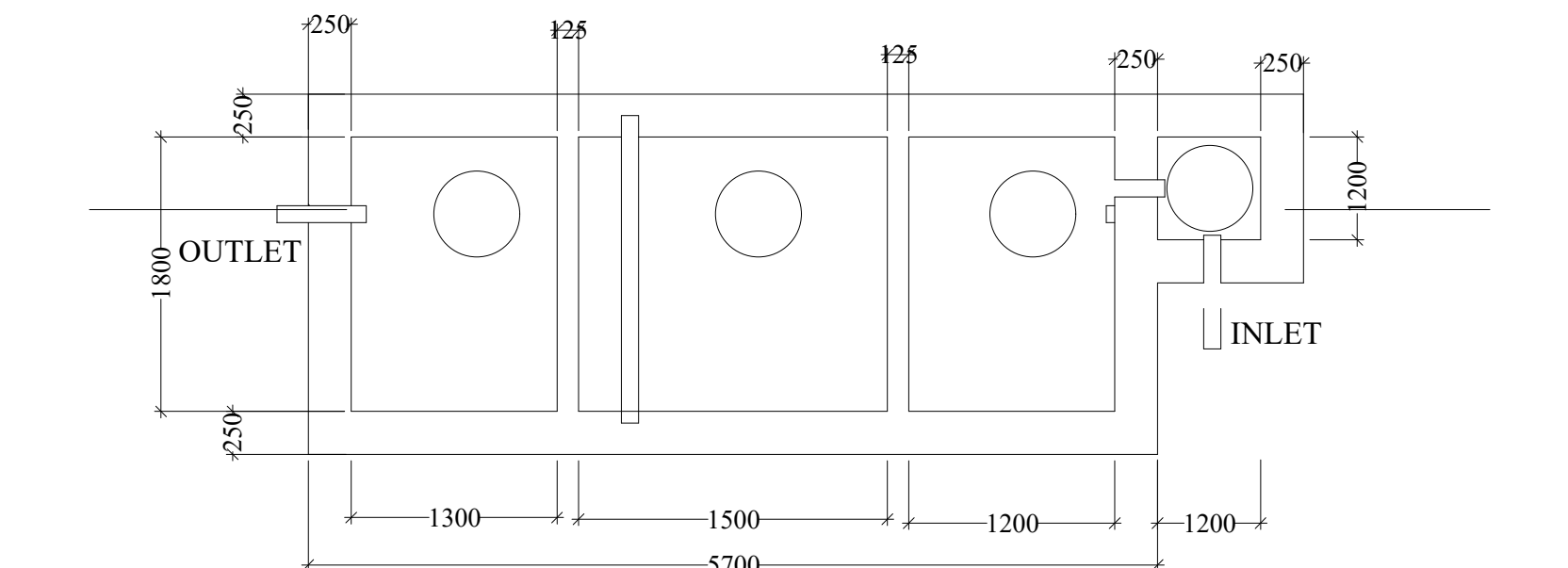
SECTION - X X
SCALE - 1:100



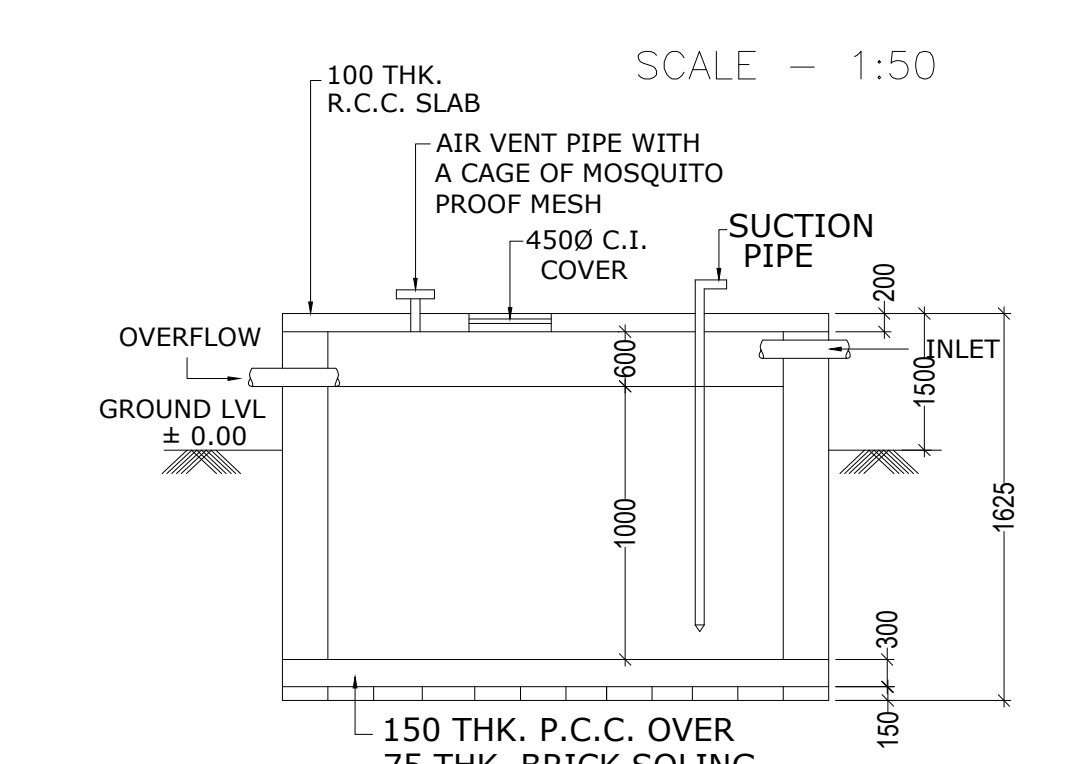
SECTION - Y Y
SCALE - 1:100



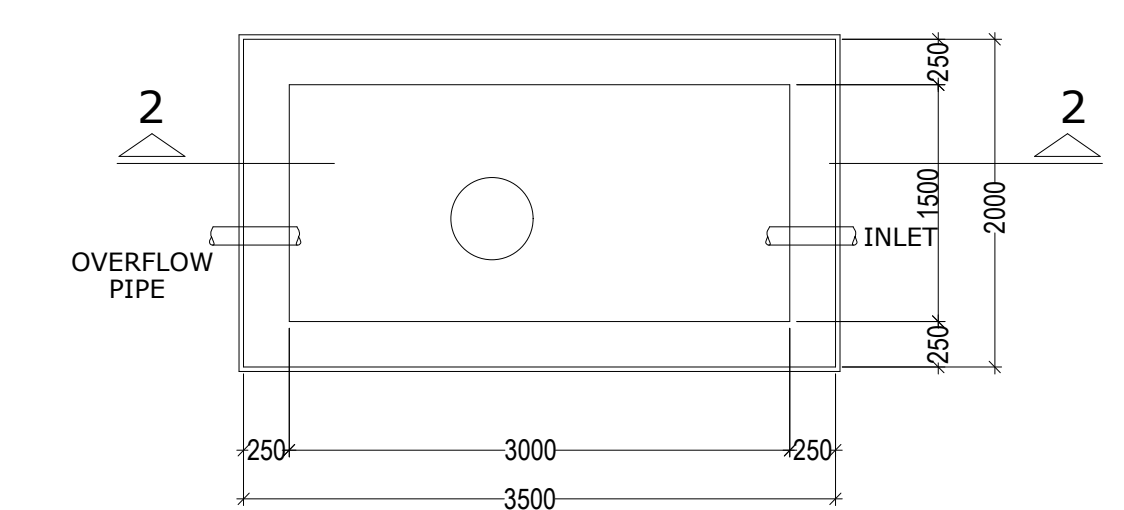
SECTION AT- SS



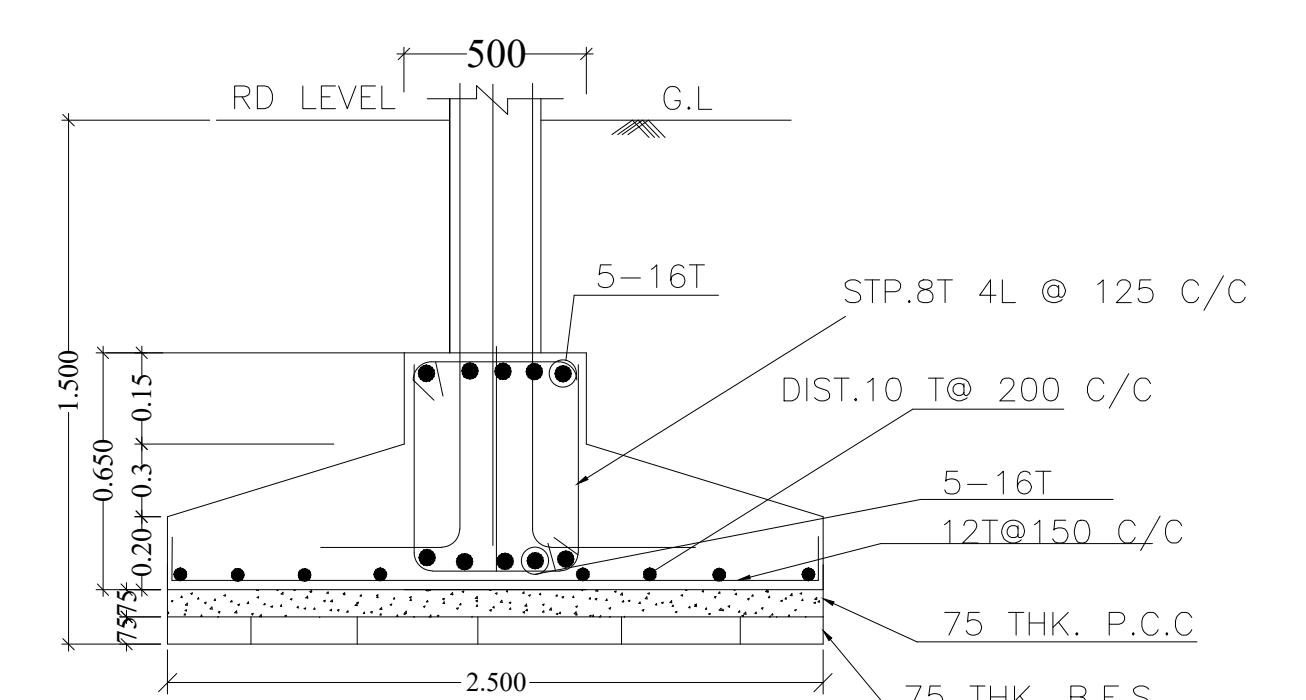
DETAILS OF SEPTIC TANK OF 100 USERS
SCALE - 1:50



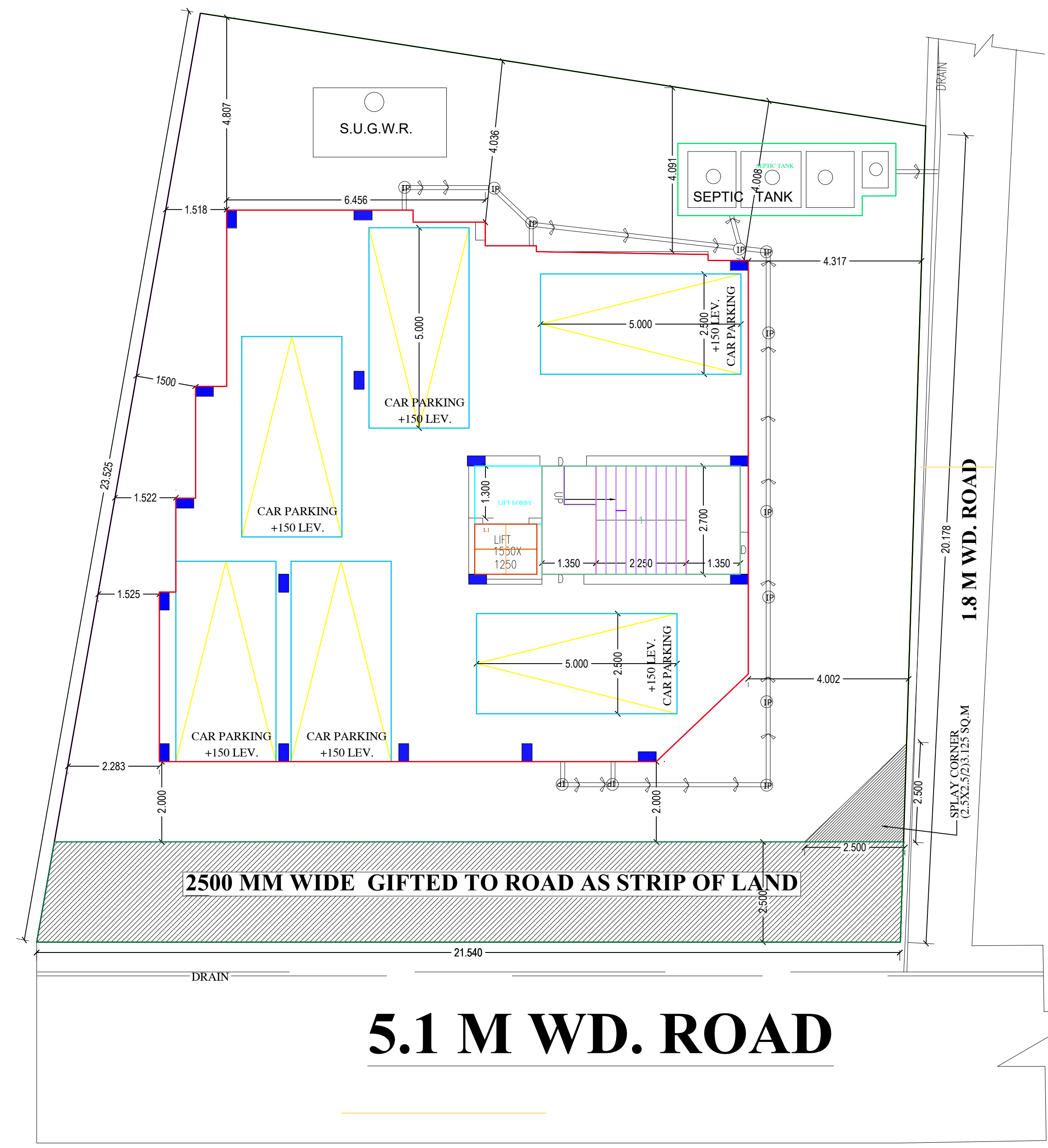
SECTION AT 2-2
SCALE - 1:50



SEMI UNDER GROUND WATER RESERVOIR
SCALE - 1:50

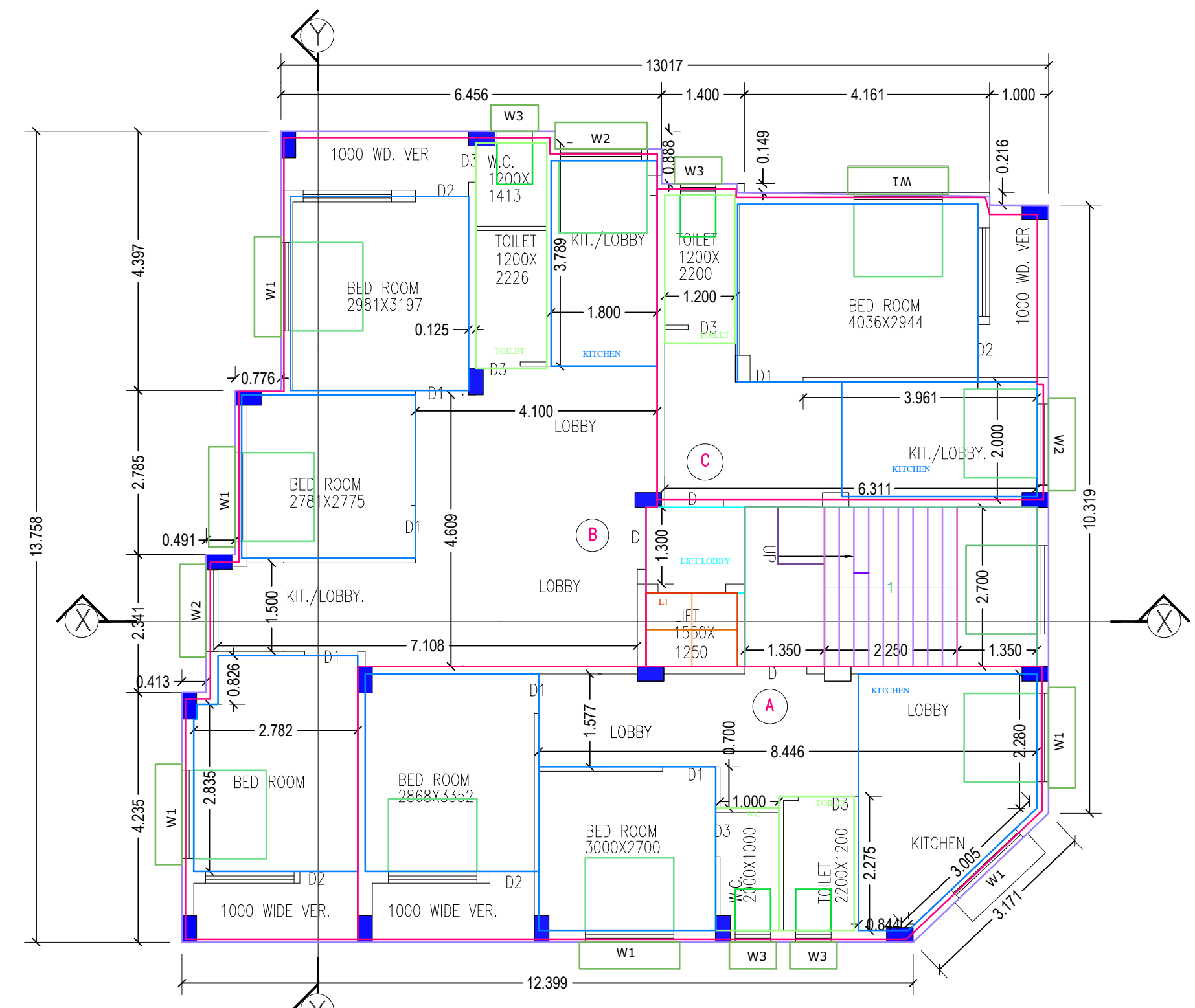


DTLS. OF STRIP FOUNDATION
SCALE = 1:25

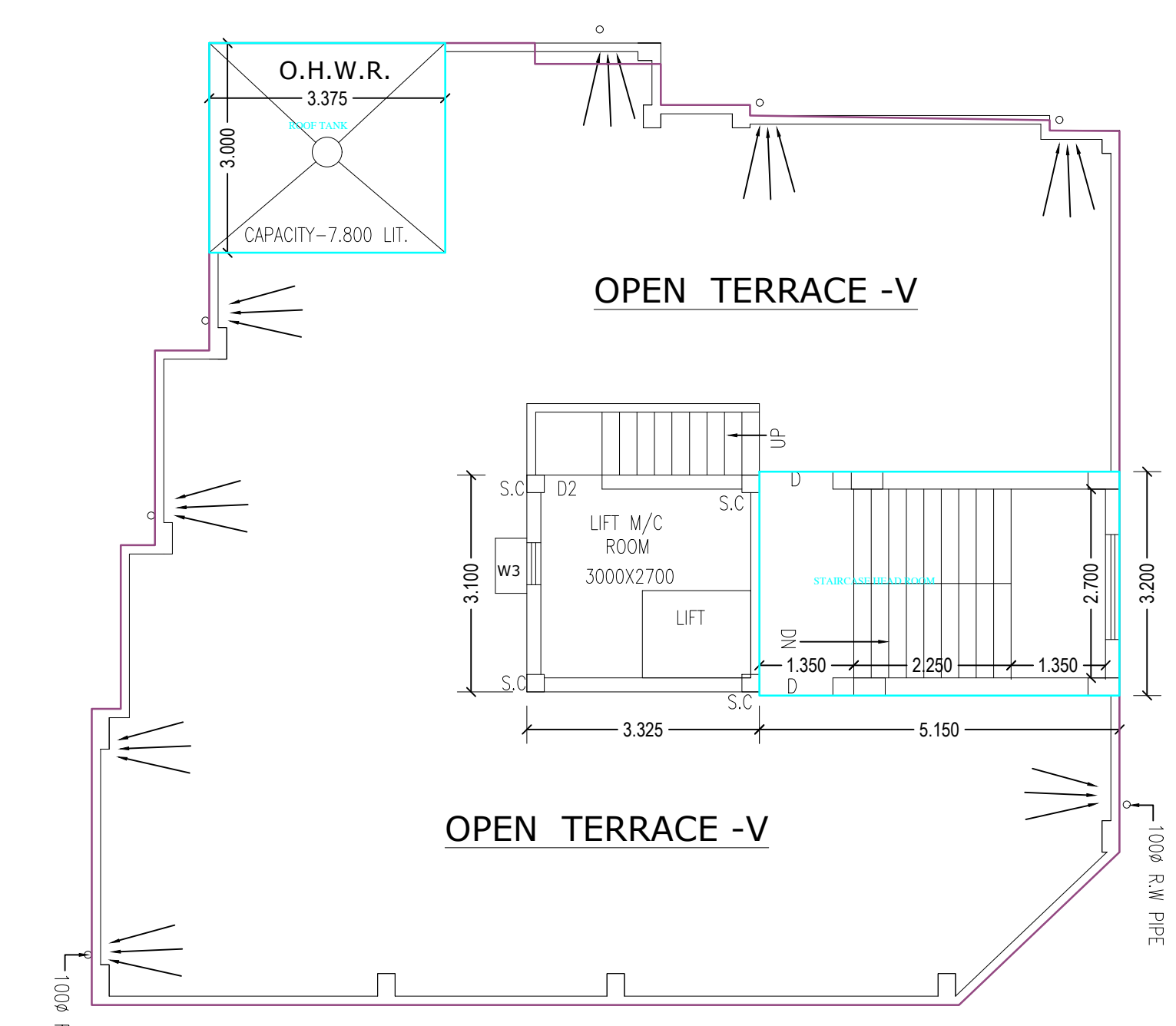


5.1 M WD. ROAD

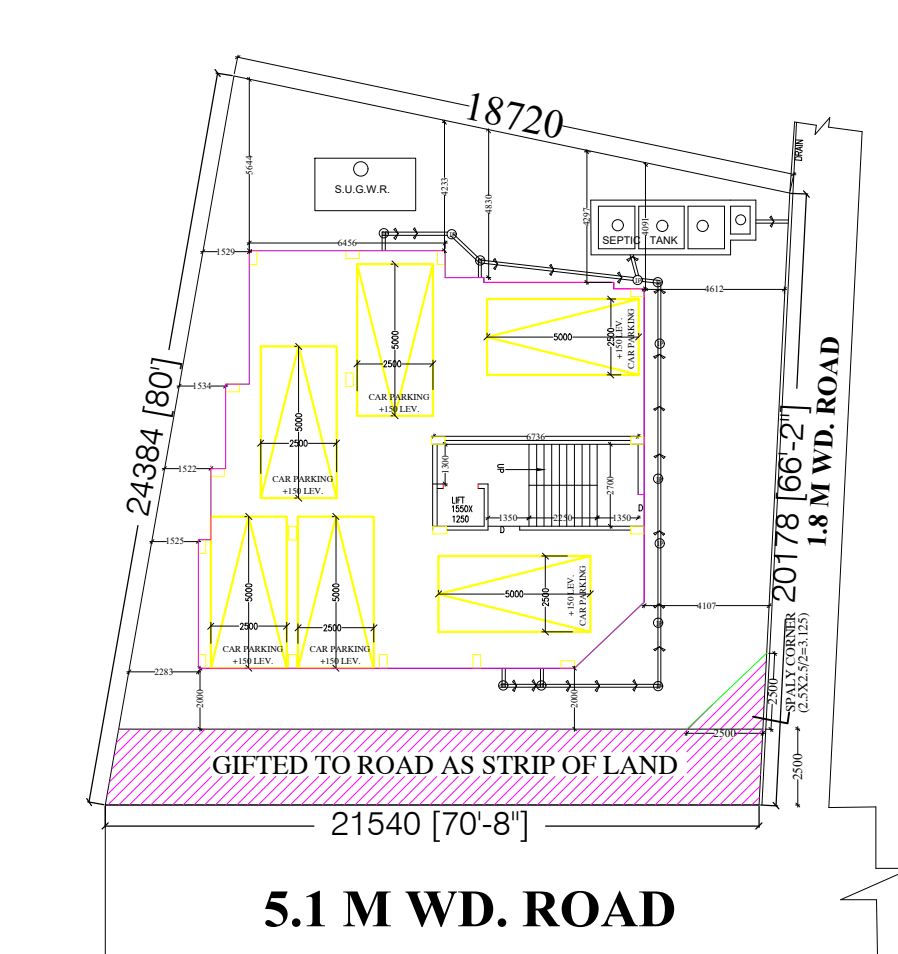
GROUND FLOOR PLAN
SCALE - 1:100



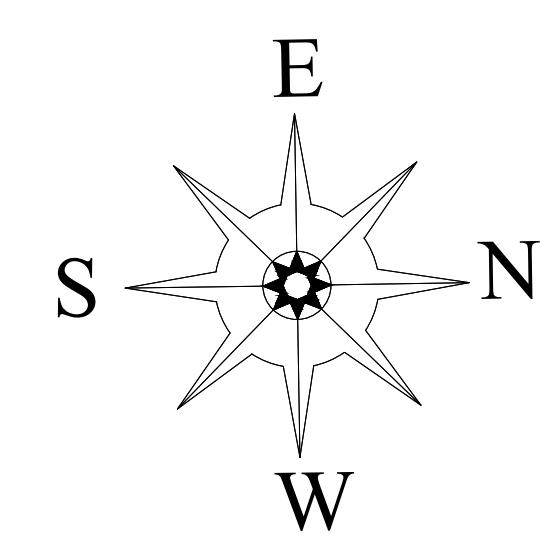
1ST., 2ND., 3RD. & 4TH. FLOOR PLAN
SCALE - 1:100



ROOF PLAN
SCALE - 1:100



5.1 M WD. ROAD
SITE PLAN
SCALE :- 1:100



PROJECT :
PLAN FOR PROPOSED G+IV STORIED RESIDENTIAL BUILDING
AT MOUZA- NAOPARA, J. L. NO.-11, L.R DAG NO.-317,P.S.-AIRPORT,
L.R KHATIAN NO.-3058,3059,3011,3060,3061,3062, WARD NO-12,
BOROUGH NO-02,DIST-24 PARGANAS(N),"WITHIN BIDHANNAGAR
MUNICIPAL CORPORATION"

NAME OF OWNER:- 1) SANDHYA BAG, 2) ARUNA BAG 3) KARUNA BAG
4) DILIP KUMAR BAG 5) ARCHANA DAS

CERTIFICATE OF OWNER'S

CERTIFIED THAT WE HAVE GONE THROUGH THE BUILDING RULES FOR THE BIDHANNAGAR MUNICIPAL CORPORATION IN VOGUE & ALSO UNDERTAKE TO ABIDE BY THOSE RULES DURING & AFTER CONSTRUCTION OF THE BUILDING.

SIGNATURE OF OWNER'S

CERTIFICATE OF LBS/ENGINEER

CERTIFIED THAT THE FOUNDATION AND THE SUPER STRUCTURE OF THE BUILDING HAVE BEEN SO DESIGN BY ME/US TO BE SAFE IN ALL RESPECT INCLUDING THE CONSIDERATION OF BEARING CAPACITY & SETTLEMENT OF SOIL ETC. AS PER I.S.I. STANDARD & N.B. CODE.

CERTIFIED THAT THE PLAN HAS BEEN DESIGN & DRAWN UP STRICTLY ACCORDING TO THE BUILDING RULES FOR "BIDHANNAGAR MUNICIPAL CORPORATION".
CERTIFIED THAT WE HAVE PERSONALLY VERIFIED THE SITE & FOUND IT IS BUILDABLE & NOT A TANK OR FILLED UP TANK.

SIG. OF GEO-TECH. ENGINEER

SIG. OF LBS

AREA STATEMENT

TOTAL AREA OF LAND(IN DEED & PHYSICAL)=06 K-08 CH-00 SFT	=434.796 SQ.M
PERMISSIBLE ROAD WIDE	=5.10 SQ.M
PERMISSIBLE FAR 1.75	=760.865 SQ.M
PERMISSIBLE HEIGHT	=15.5 SQ.M
PROPOSED HEIGHT	=15.4 SQ.M
GIFTED TO ROAD AS STRIP OF LAND	=53.85 SQ.M
GIFTED TO ROAD AS SPLAY CORNER	=3.125 SQ.M
NET AREA OF LAND (434.780-56.975)	=377.805 SQ.M
PERMISSIBLE GROUND COVERAGE (56.109 %)	=211.982 SQ.M
PROPOSED GROUND COVERAGE (48.029)	=181.457 SQ.M
PROPOSED HEIGHT	15.400 M.
GROUND FLOOR COVERED AREA	= 181.457 M ²
1ST. FLOOR COVERED AREA	= 181.457 M ²
2ND. FLOOR COVERED AREA	= 181.457 M ²
3RD. FLOOR COVERED AREA	= 181.457 M ²
4TH. FLOOR COVERED AREA	= 181.457 M ²
TOTAL FLOOR COVERED AREA	= 907.285 M ²
LEFT OPEN AREA OF LAND	=253.832 M ²

EXEMPTION AREA

STAIR, LIFT & LOBBY (17.88 X 4)	= 71.52 M ²
CAR PARKING(6X25)	= 150.00 M ²
	221.52 M ²
NET AREA - (907.285-221.52)	= 685.765 M ²
PROPOSED F.A.R.- 685.765/434.780 = 1.57	

REQUIRED CAR PARKING

NET AREA FOR FAR	=685.765 SQ.M.
REQUIRED CARPARKING 685.765/120	=5.71 NOS
PROVIDED CAR PARKING ON GROUND FLOOR	=06 NOS

DOOR/WINDOW SCHEDULE

NO.	MASONRY OPENING	L.TL.HT.	REMARKS.
D	1050 X 2100	2100	COLLAPSIBLE
D1	900 X 2100	2100	WOOD-FLUSHED
D2	750 X 2100	2100	P.V.C.
W1	1250 X 1550	2100	ALUMINIUM SLIDING
W2	900 X 1250	2100	ALUMINIUM CASEMENT
W3	600 X 600	2100	ALUMINIUM CASEMENT

SHEET TITLE

EXISTING & PROSPED GROUND FLOOR PLAN. PRO. TYPICAL FLOOR PLAN ,ROOF PLAN, ELEVATION ,SECTIONS,SITE PLAN , LOCATION PLAN,DETAIL OF S.U.G.W RESERVOIR , SEPTIC TANK & O.H.W.R,SECTION OF BOUNDARY WALL,DOOR & WINDOW SCHEDULE.

SCALE

SITE PLAN - 1:300, LOCATION PLAN - 1:4000
ELEVATION SECTION & FLOOR PLAN - 1:100
PLAN & SECTION OF SEPTIC TANK - 1:50

DRAWN BY	DATE	CAD FILE NAME	SCALE
ASHIM SAHA			1:100

